

Specification B200 Cold Plate

P/N	B200 Cold Plate
Platform	B200
Type	Discrete Accelerator
Architecture	8x Blackwell GPU
TDP(W)	8x1000W GPU +2x645W Switch
Total TDP(W)	9290W
Liquid Cooling module Size ( WxDxH )	354.8 x 437.7 x 60.8 mm
Liquid Cooling module Weight(KG)	13.4 KG
Liquid coolant	PG25
Quick connector	Stäubli SCG03
Liquid Tube Material	EPDM + Mesh Grid
Inlet Flow Temperature	40°C
Inlet Flow Rate of Liquid	GPU : 1.2 LPM 、 Switch : 1.2LPM
Liquid pressure drop	GPU <4.35psi 、 Switch <7.3ps



# B200 Cold Plate

## Key Features

- Cooling capacity : 9290W
- Compatible with DI Water/PG25 coolant
- Suitable for Nvidia Blackwell B200 Tensor Core GPUs
- Uses EPDM and Mesh Grid

## Applications



HPC



AI

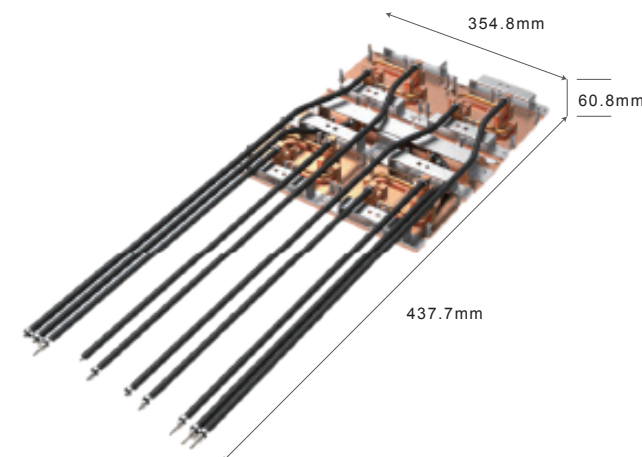


Deep Learning Training



Data Analytics

## Dimension Details



For more product information and sales inquiries :

- [www.liteon.com](http://www.liteon.com)
- +886-2-8798-2888
- [CIPS-Sales@liteon.com](mailto:CIPS-Sales@liteon.com)
- 13F, No. 555, Siyuan Rd., Xinzhuang Dist., New Taipei City 242034, Taiwan, R.O.C.



Visit us

Specifications are subject to change without notice.

